

F

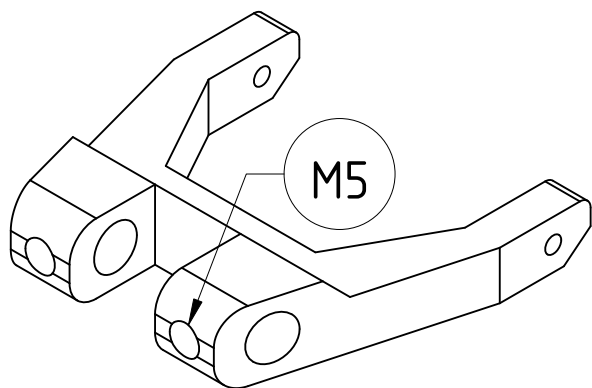
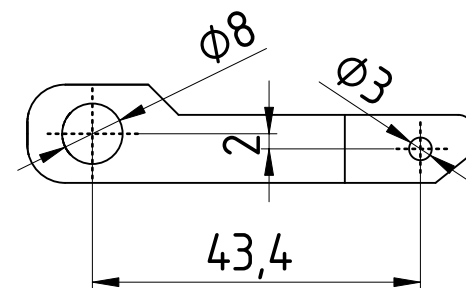
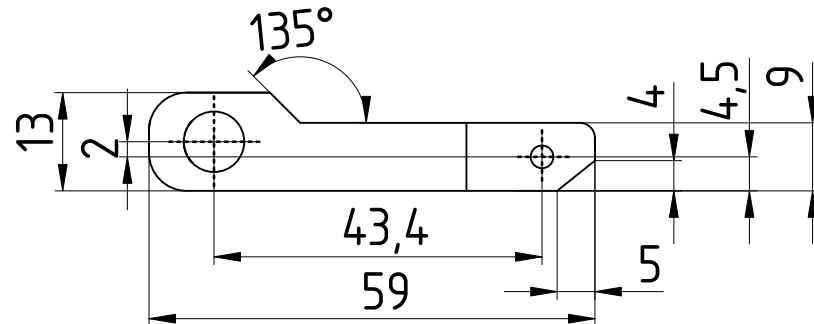
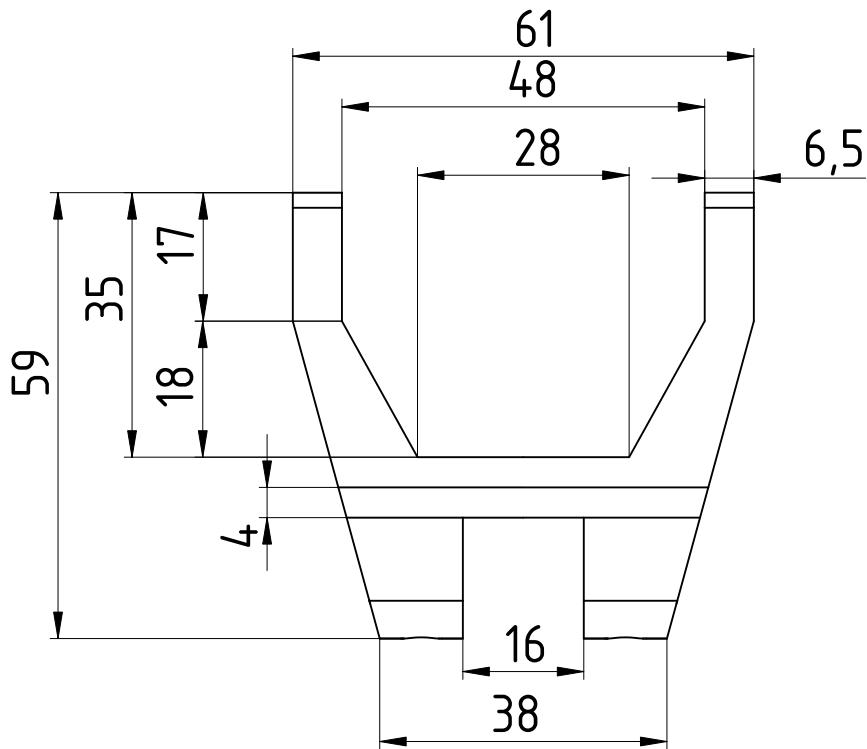
E

D

C

B

A



DESIGNED BY: ags		Schaltgabel rechts		G	—
DATE: 16.11.2024		Subtitle		F	—
SIZE				E	—
A4				D	—
SCALE	WEIGHT (kg)	DRAWING NUMBER	SHEET	C	—
Scale	Weight	Drawing number	Sheet	B	—
This drawing is our property; it can't be reproduced or communicated without our written consent.				A	—

F

E

D

4

3

2

1